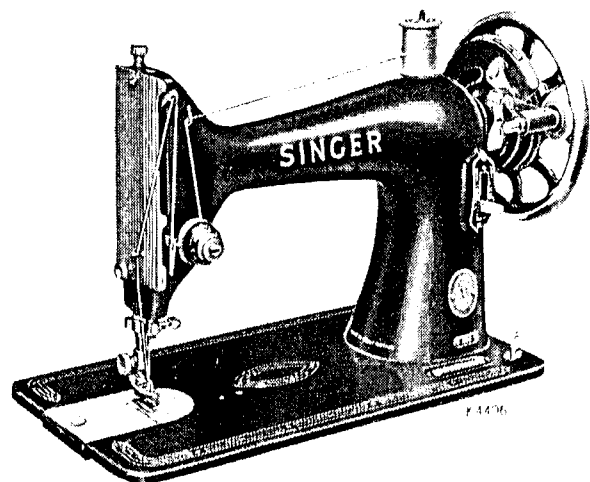


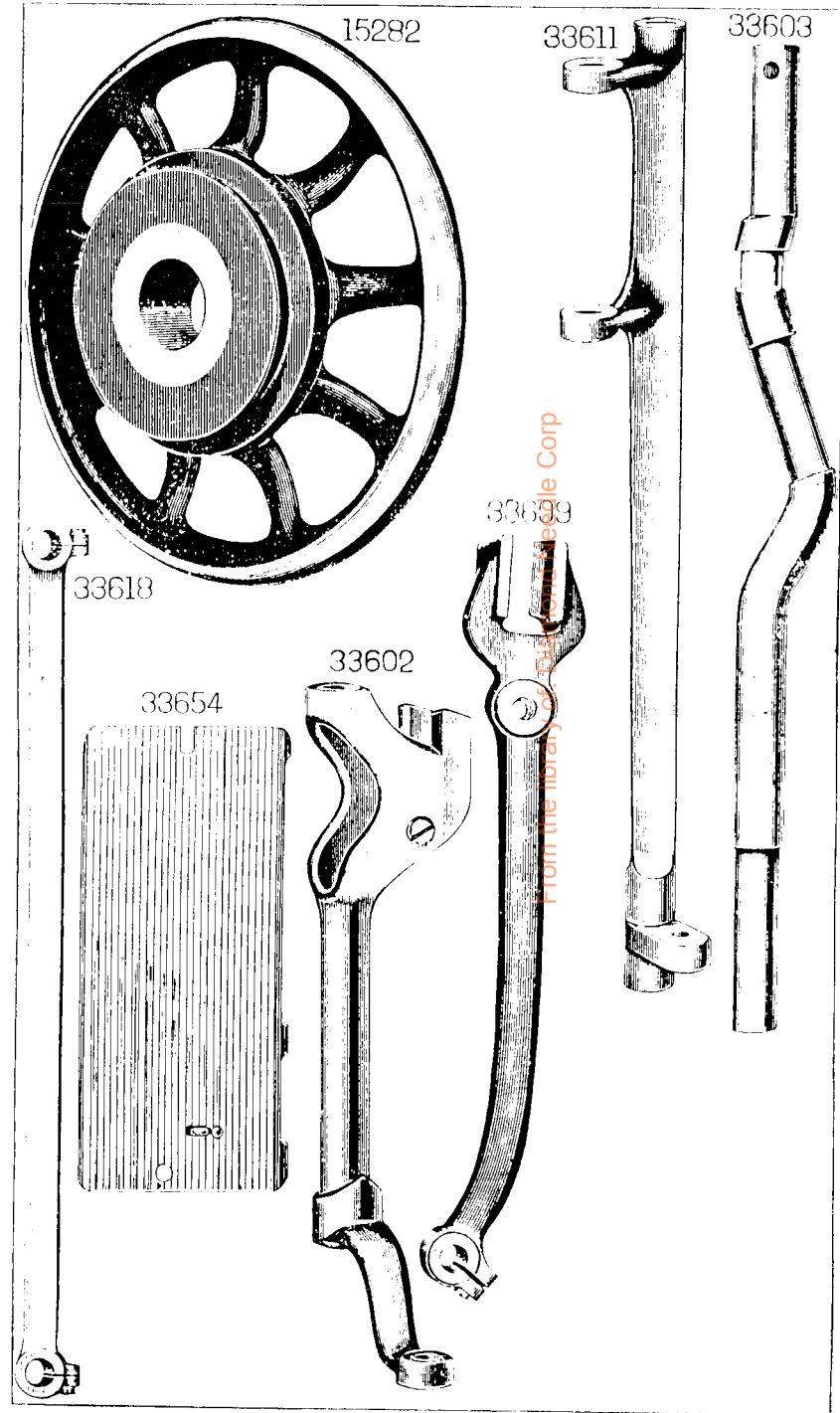
SINGER
99K26,K27,K28

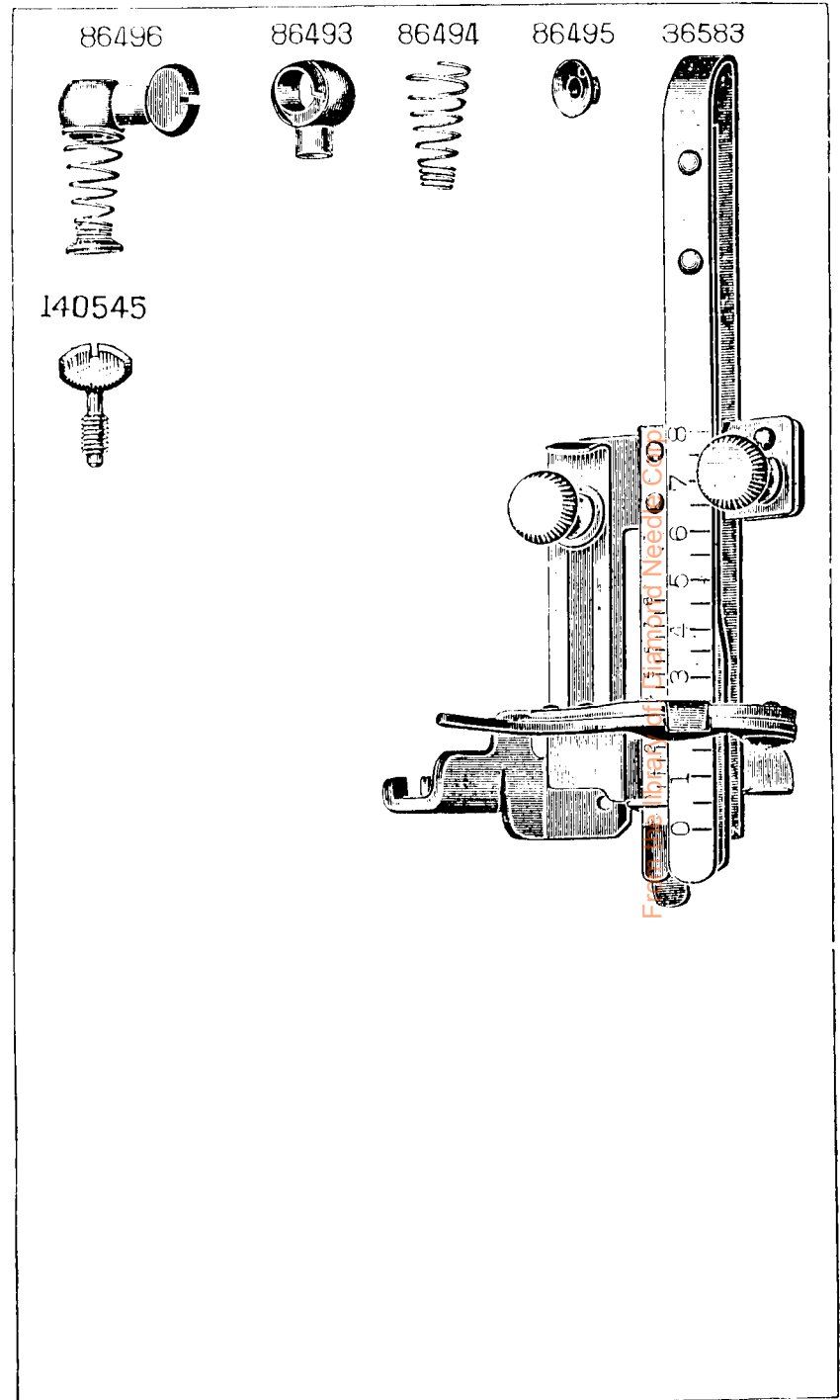
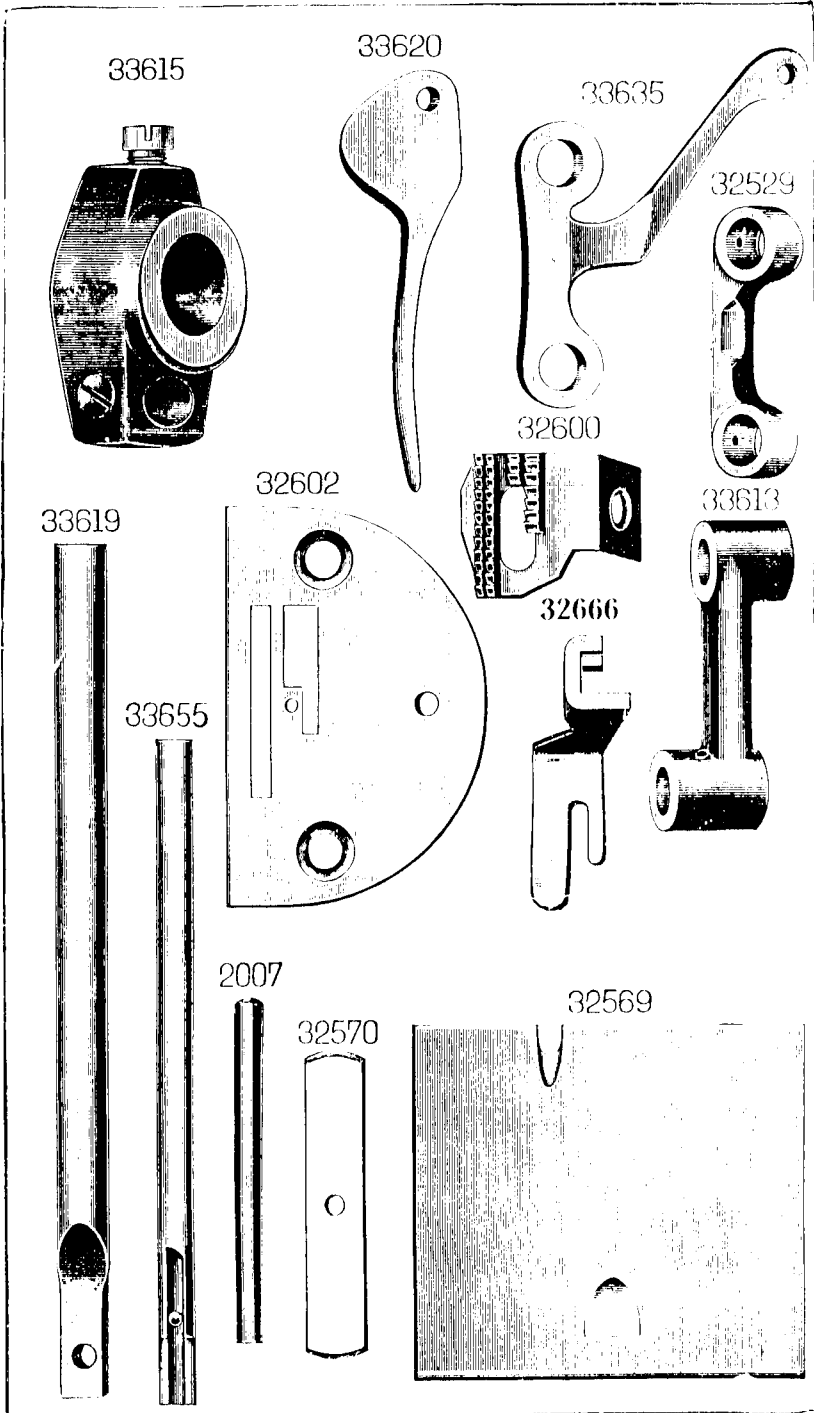
ILLUSTRATED
LIST OF PARTS
FOR
Nos. 99K26 to 99K28
Machines

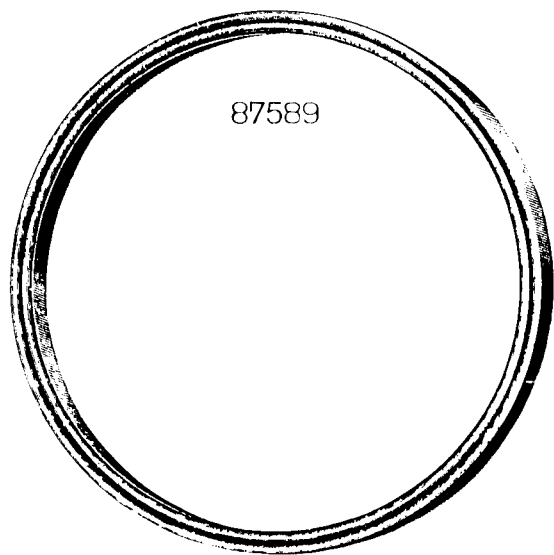


No. 99K26 Machine

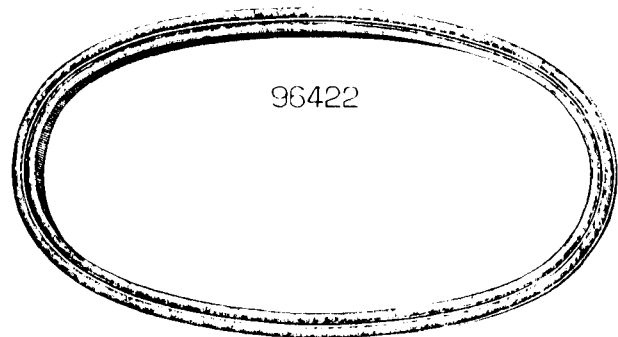
**A Trade Mark of
THE SINGER MANUFACTURING COMPANY





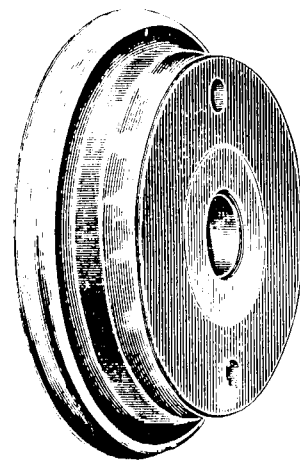


87589

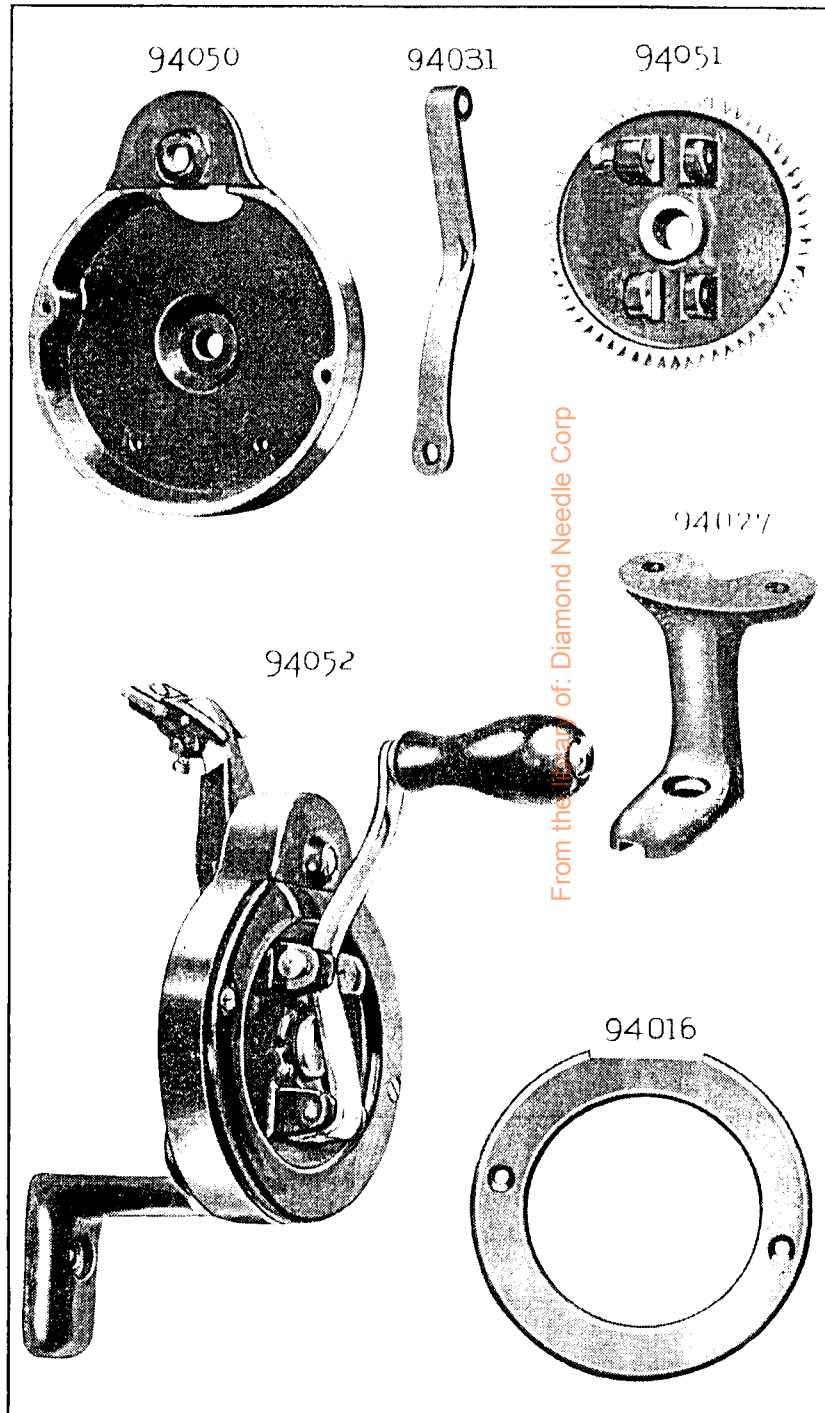
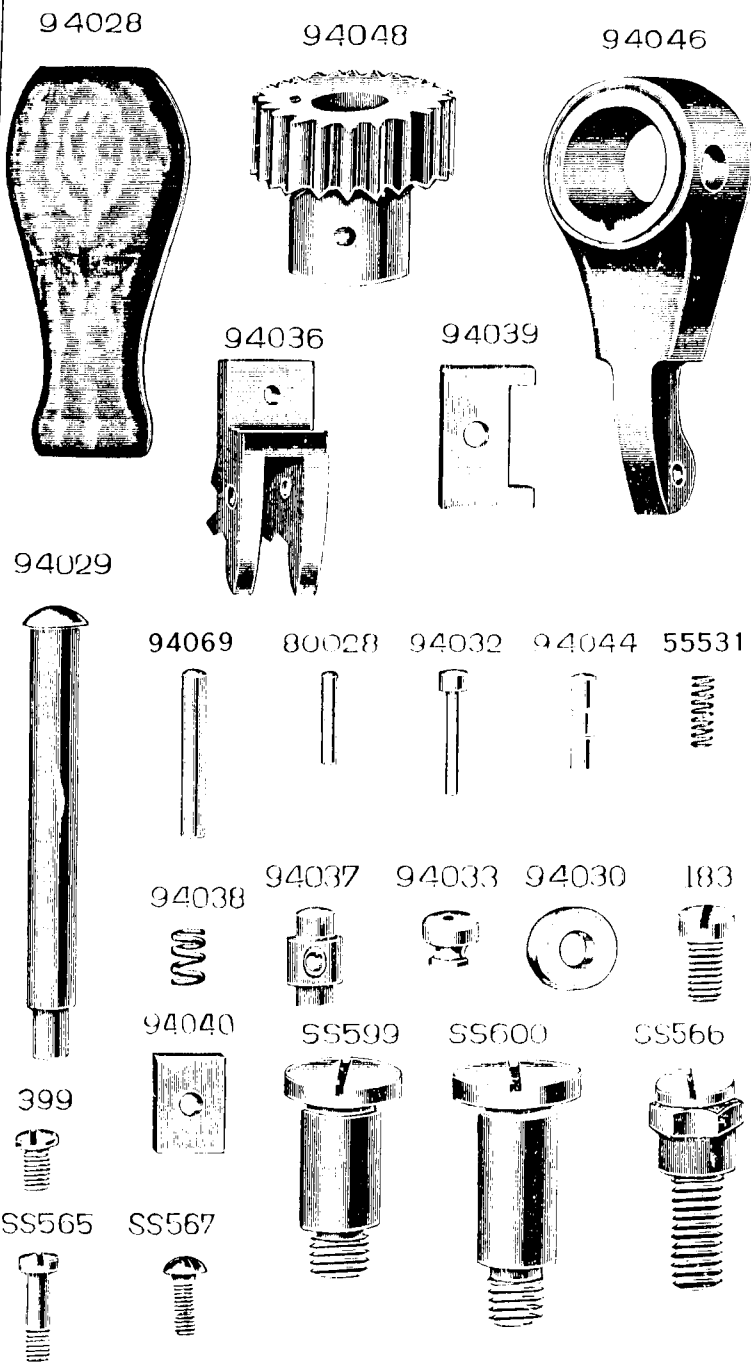


96422

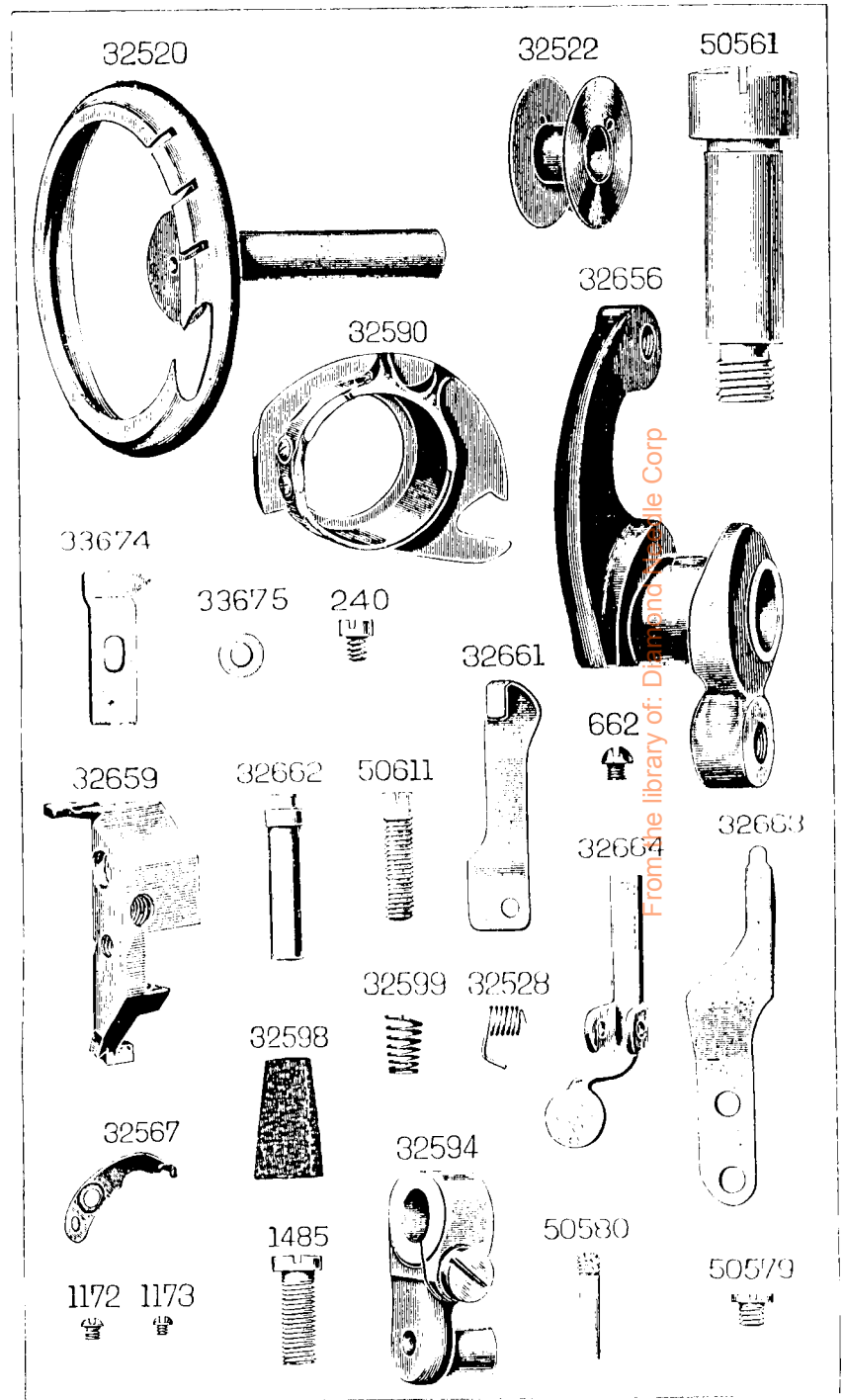
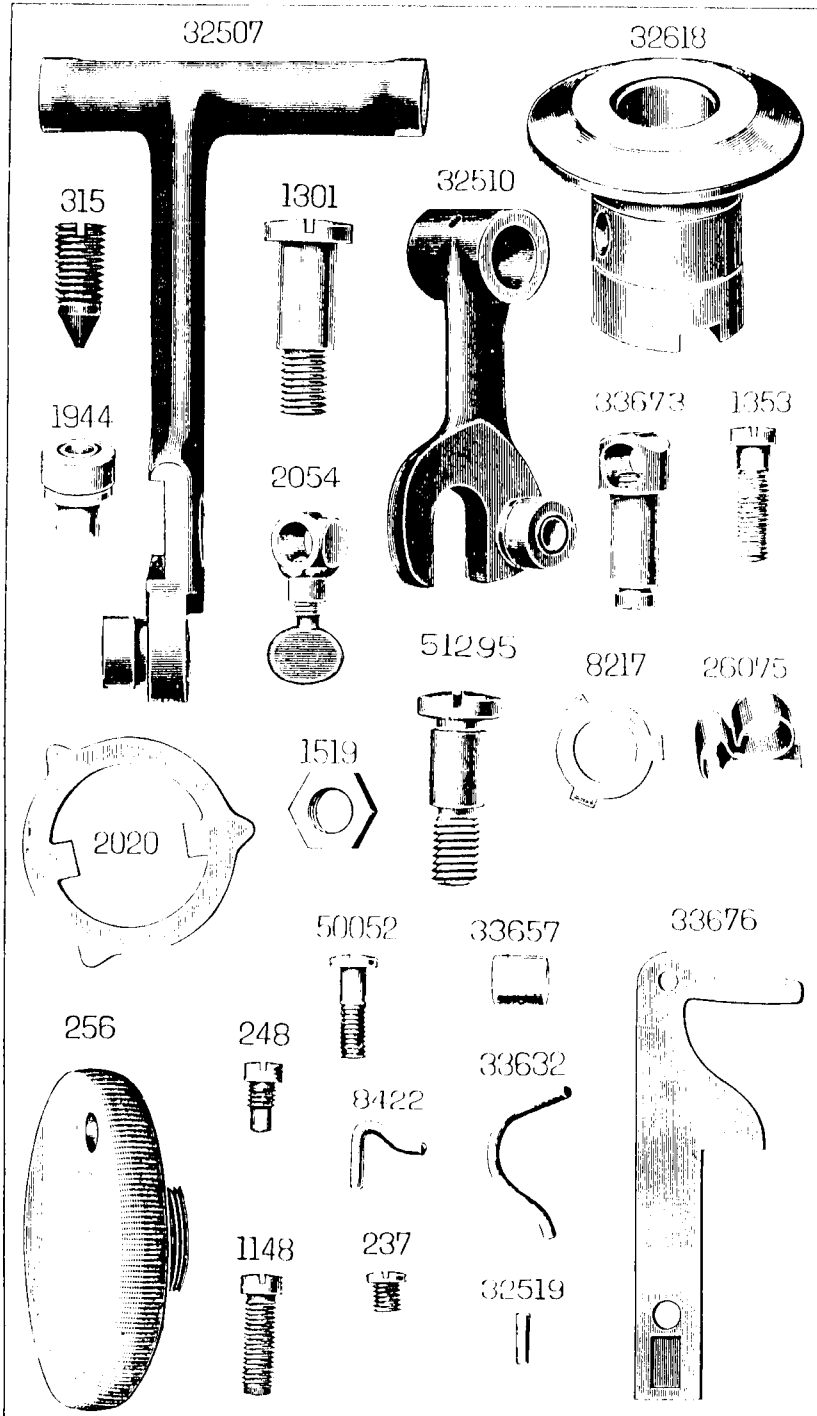
32672

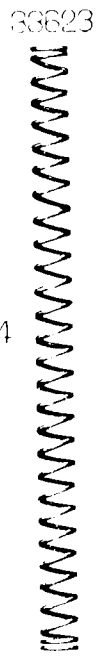
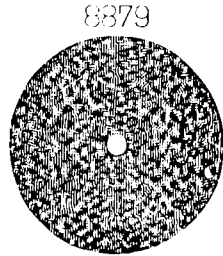
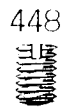
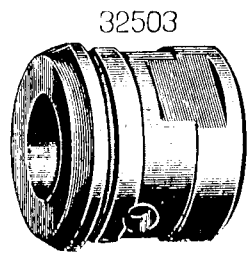


From the library of: Diamond Needle Corp



From the library of: Diamond Needle Corp



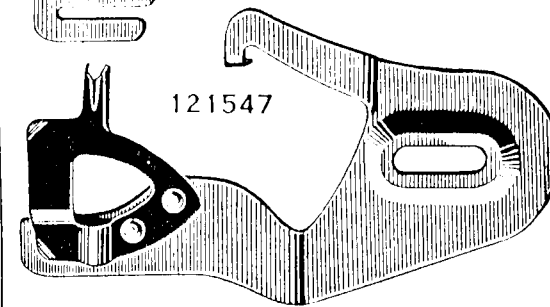
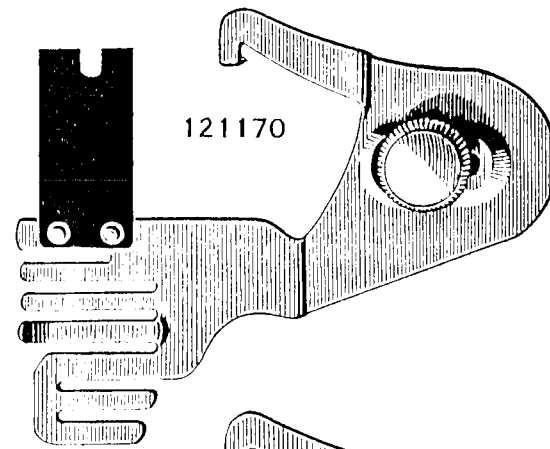


125423

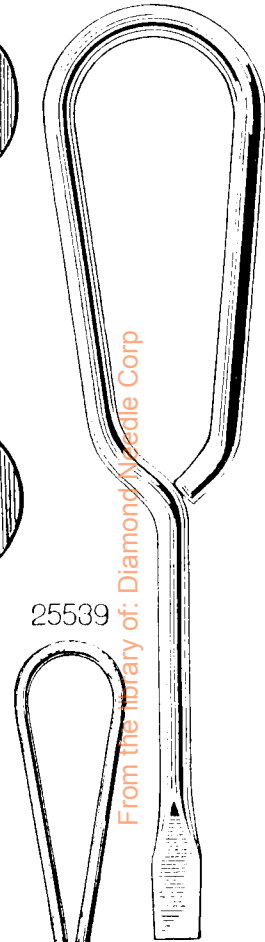
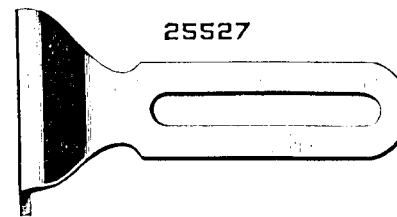
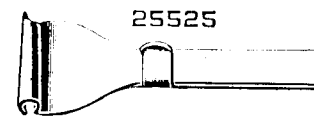


125424

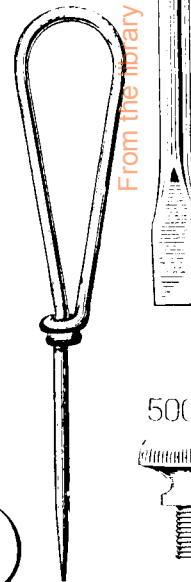
125422



120378



25539



From the library of: Diamond Needle Corp

50053



SS 528



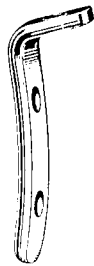
96425



96426



96844



96427



96845



NW95



44



138



175



191



203



216



226



307



691



905



1095



1132



1134



1216



1381



50046



50047



50684



51045



51224



From the files of: Diamond Needle Corp.

1512



1513

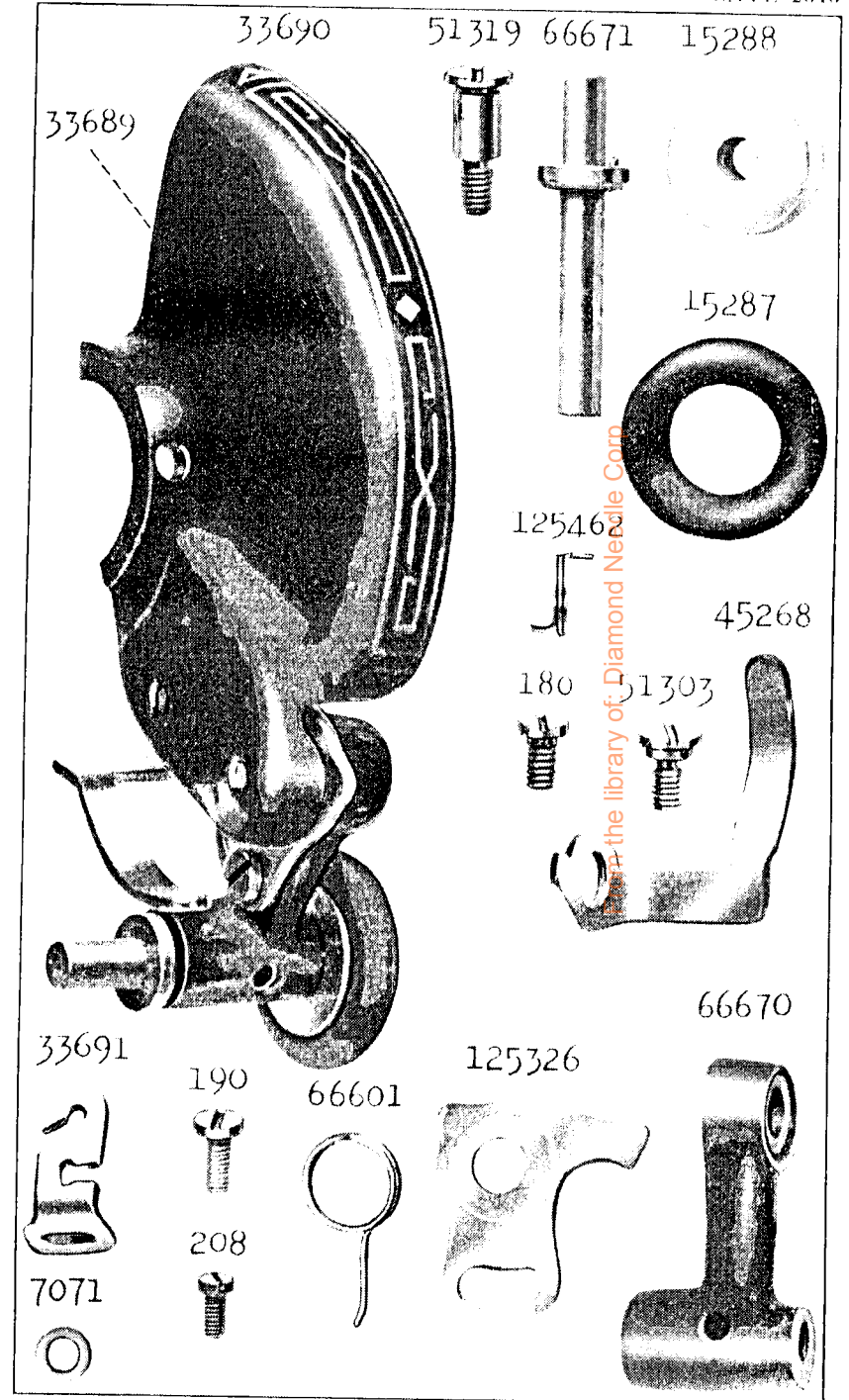
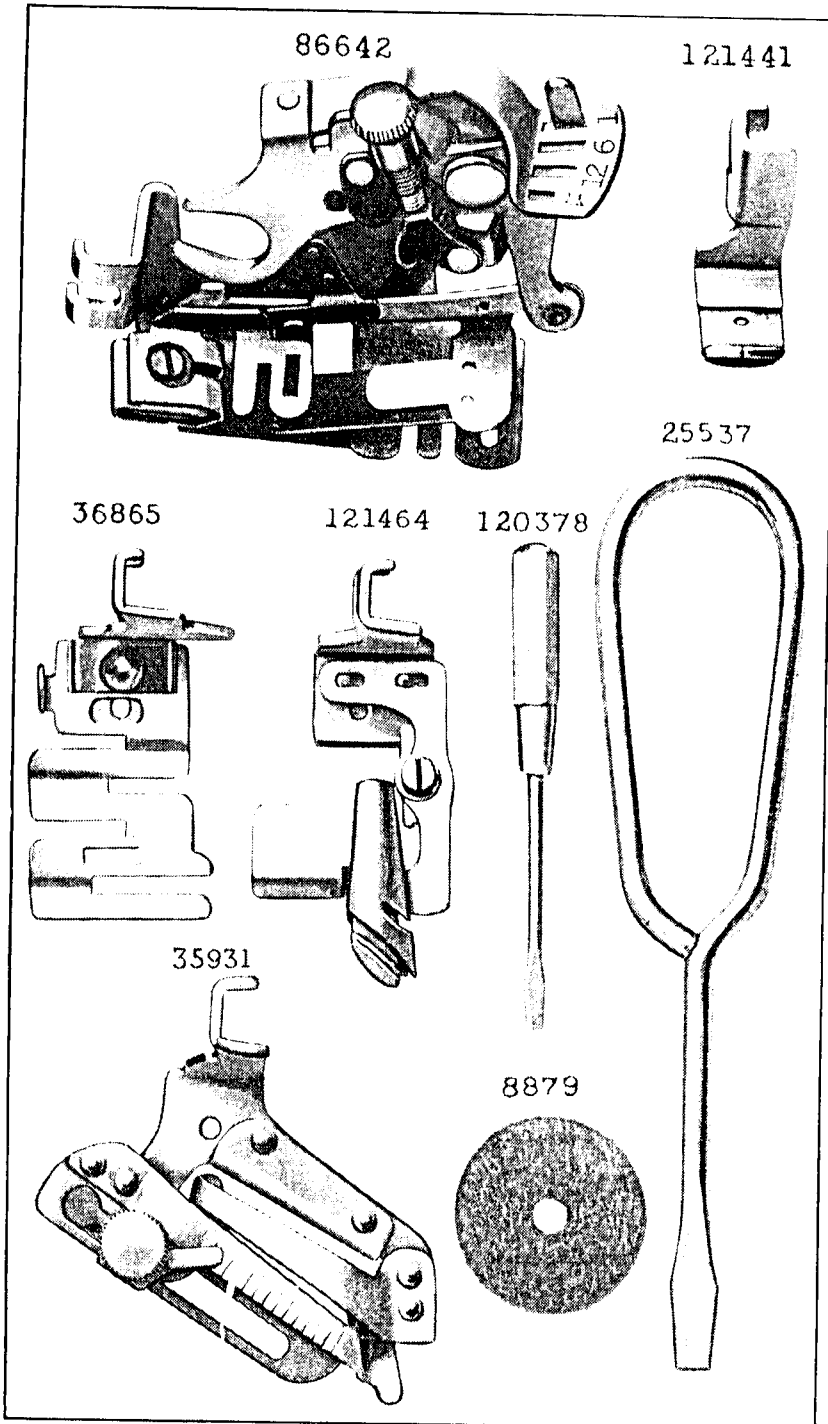


1520

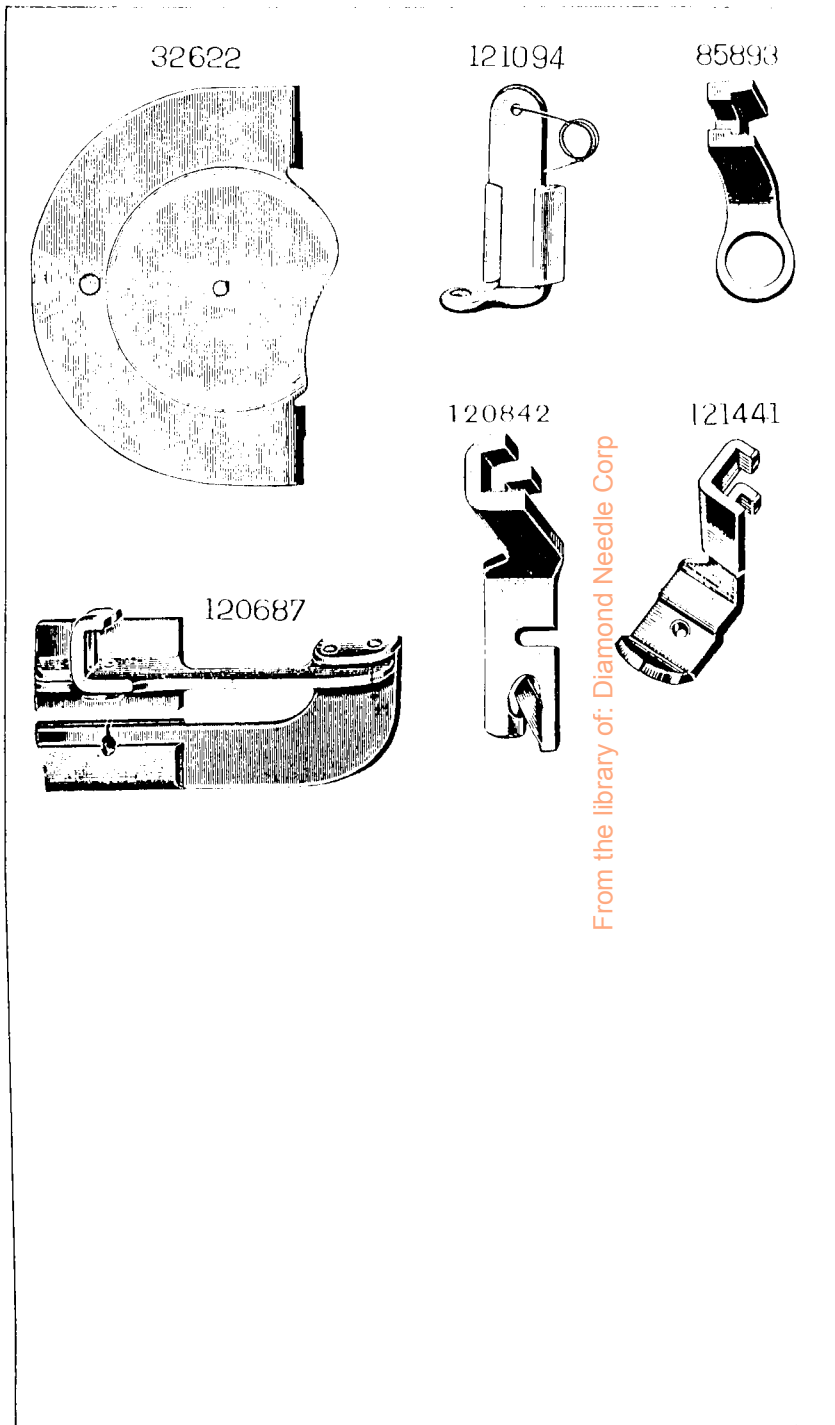
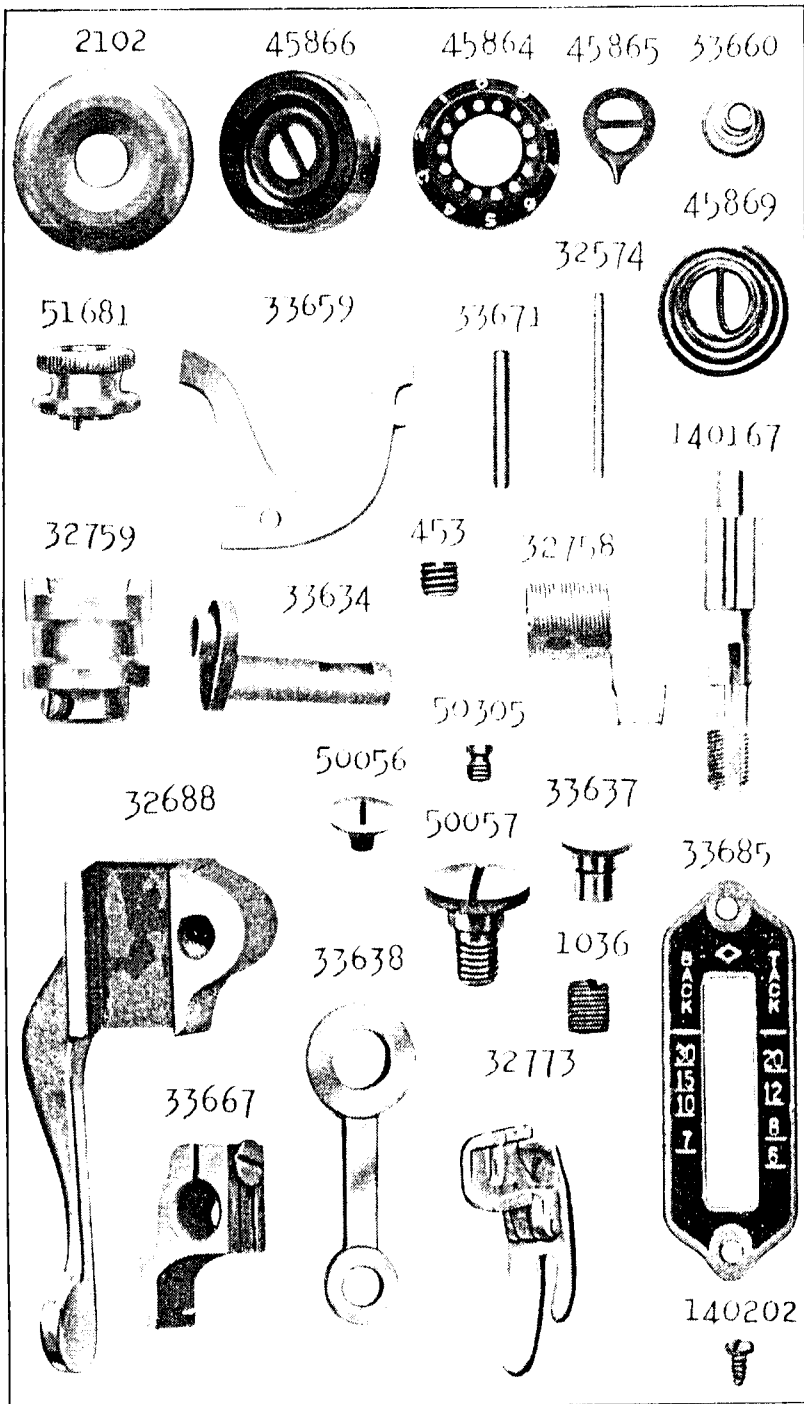


1332





From the library of Diamond Needle Corp.



From the library of: Diamond Needle Corp

INSTRUCTIONS FOR ORDERING

In ordering from this List, the prefix and affix letters with the part number **MUST BE** quoted exactly as they are shown in the first column.

A number always indicates the same part in whatever List it may appear, or for whatever machine.

The affix letters (where shown) indicate the style of finish, as follows:—

- A. Hardened, Polished, Nickel Plated and Buffed.
- A.A. Buffed and Chromium Plated.
- A.B. Hardened, Polished, Buffed and Chromium Plated.
- A.C. Brown Baking Enamel Finish.
- A.D. Grey Baking Enamel Finish.
- A.E. Hardened, Bright Rumbled and Nickel Plated.
- A.F. Hardened, Bright Rumbled and Nickel Plated, Bright Rumbled and Chromium Plated.
- A.J. Polished, Nickel Plated and Chromium Plated.
- A.K. Hardened, Polished, Nickel Plated and Chromium Plated.
- A.L. Heat Treated for Toughness.
- B. Polished, Nickel Plated and Buffed.
- C. Hardened only.
- C.R. Hardened and Merlized.
- D. Polished only.
- E. Soft, not Polished.
- F. Hardened and Polished.
- F.J. Hardened, Polished and Nickel Plated.
- G. Bright Rumbled and Nickel Plated.
- H. Blued.
- J. Nickel Plated only.
- K. Hardened and Nickel Plated.
- L. Brass Plated.
- M. Oxidized.
- N. Japanned, Dull.
- P. Japanned, Bright.
- P.P. Wrinkle Finish.
- R. Merlized.
- S. Cadmium Plated.
- T. Copper Plated.
- T.A. Hardened, Polished, Copper and Nickel Plated and Buffed.
- T.B. Copper and Nickel Plated and Polished.
- T.J. Copper and Nickel Plated only.
- T.K. Hardened, Copper and Nickel Plated.
- T.L. Copper and Brass Plated.
- T.M. Copper Plated and Oxidized.
- U. Zinc Plated.
- V. Silver Plated.
- W. Polished and Nickel Plated.
- X. Black Oxide for Iron and Steel.
- X.C. Hardened and Black Oxide for Iron and Steel.
- Y. Black Nickel Plated only.
- Z. Chromium Plated.
- Z.A. Hardened, Polished, Nickel Plated, Buffed and Chromium Plated.
- Z.B. Polished, Nickel Plated, Buffed and Chromium Plated.
- Z.C. Hardened and Chromium Plated.
- Z.D. Polished and Chromium Plated.
- Z.G. Bright Rumbled, Nickel Plated, Bright Rumbled and Chromium Plated.
- Z.J. Nickel and Chromium Plated.
- Z.T. Copper and Chromium Plated.

Parts marked with an asterisk (*) are furnished only when the repairs are made at Factory.

PARTS COMPLETE FOR CLASS 99K MACHINES (Nos. 99K26 to 99K28)

Lock Stitch ; Horizontal Oscillating Hook ; Stationary Bobbin Case ;
Link Take-up ; Reversible Drop Feed ; for Family Use

No.	Plate			
*33688	—	Arm with 448za and 32503
2002	2396	" Dowel Pin (2)
4389	2396	" " " (for repairs only)
33602r	892	" Rock Shaft with 905e
33661	—	" " " 33602r with 1216c and 1520j
905e	2400	" " " Adjusting Screw
50046c	2400	" " " Screw Centre (lower)
33666	—	" " " " " (") 50046c with 1512r
1512r	2400	" " " " " (") Nut
50047c	2400	" " " " " (upper)
138e	2400	" Screw (3)
33603	892	" Shaft
33662	—	" " 33603 with 32503 and 33615
32503	2396	" " Bushing
448za	2396	" " " Set Screw
2007zb	895	" Spool Pin
8879	2574	" " " Washer (cloth)
32672	1722	Balance Wheel, 3 1/4" pulley, for 99K28 Machine
15282	892	" " 2 1/4" pulley, for 99K26 and 99K27 Machines
*33681p	—	Bed
256zb	2393	Clamp Stop Motion Clamp Screw
248za	2393	" " " " Stop Screw
2020	2393	" " " " Washer
32618	2393	" " " Flanged Bushing
1148al	2393	" " " " Set Screw
32619zb	—	Clamp Stop Motion, complete, Nos. 248za, 256zb, 1148al, 2020 and 32618
*33663zb	—	Face Plate
33654zb	892	" " 33663zb with 125423zb
203zb	2400	" " Screw
125422zb	2396	" " Thread Guard
125423zb	2396	" " " " 125422zb with 125424zb
125424zb	2396	" " " " Rivet
50684zb	2400	" " Thumb Screw

99K MACHINE PARTS

No.	Plate					
32507r	2393	Feed Bar with 1944
1944	2393	" " Roller and Stud
315c	2393	" " Screw Centre (2)
15445	---	" " " " 315c with 1519r (2)
1519r	2393	" " " " Nut (2)
32600	895	Feed Dog
101c	2400	" " Screw
33609r	892	Feed Forked Connection with 175j
33664	---	" " " 33609r with 1832
175j	2400	" " " Adjusting Screw
1381c	2400	" " " Hinge Screw (eccentric)
1520r	2400	" " " " Nut
1832	2400	" " " Roller with 1085c
1085e	2400	" " " Screw Stud
*32510r	2393	Feed Raising Bar with 1944
32630	---	" " " 32510r with 1301c and 1520r
1301c	2393	" " " Hinge Screw
1520r	2400	" " " Nut
1944	2393	" " " Roller and Stud
32088zb	2647	Feed Regulator
8217	2393	" " Friction Washer
51295c	2393	" " Hinge Screw
33611r	892	Feed Rock Shaft
307c	2400	" " " Screw Centre (2)
56814	---	" " " " 307c with 1513r
1513r	2400	" " " Nut (2)
51045al	2400	Machine Hinge Connection Set Screw (2)
33655	895	Needle Bar with 32519
33613	895	" " Connecting Link
32678	---	" " " " 33613 with 33673
33673	2393	" " " Stud with 1353al
1353al	2393	" " " Set Screw
33615	895	" " Crank with 1036c and 1134al
1134al	2400	" " " Position Screw
33667	2393	" " Hole Plug
2054zb	2393	Needle Clamp with 140545za
140545za	1160	" " Thumb Screw
32519	2393	" " Stop Pin

99K MACHINE PARTS

No.	Plate					
32520	2394	Oscillating Hook
32626	---	" " 32520 with 32590
33674	2394	" " and Needle Bar Timing Gauge
240c	2394	" " " " " " " " Screw
33675	2394	" " " " " " " " Washer
32656	2394	" " Bell Crank
50561c	2394	" " " Hinge Screw
32522	2394	" " Bobbin
32590	2394	" " Case with 1172f, 1173d and 32567
32661	2394	" " " Cushion Spring
662j	2394	" " " " " " " " Screw
32659	2394	" " " Position Bracket
32662	2394	" " " " " " " " Hinge Stud
50611j	2394	" " " " " " " " " " " " Set Screw
32663	2394	" " " " " " " " Latch
50579j	2394	" " " " " " " " " " " " Screw
32598	2394	" " " " " " " " Oil Pad (felt)
32599	2394	" " " " " " " " " " " " Holder
32660	---	Oscillating Hook Bobbin Case Position Bracket, complete
		Nos. 662j, 32528, 32598, 32599, 32659, 32661, 32664
		50579j and 50580c
1172f	2394	Oscillating Hook Bobbin Case Tension Regulating Screw
32567	2394	" " " " " " " " Spring
1173d	2394	" " " " " " " " " " " " Screw
32664	2394	" " " " " " " " Ejector
50580e	2394	" " " " " " " " Hinge Screw Stud
32528	2394	" " " " " " " " Spring
32529r	895	" " Connecting Link
1132c	2400	" " " " " " " " " " " " Hinge Screw
32594r	2394	" " Crank with 1485r
1485r	2394	" " " Clamping Screw
33618r	892	" " Pitman with two 175r
175r	2400	" " " Adjusting Screw
41c	2400	" " " " " " " " Screw Stud (left)
1216c	2400	" " " " " " " " " " " " (right)
216c	2400	" " " " " " " " () Cap Screw
1520j	2400	" " " " " " " " () Nut
32569zb	895	" " Slide
32570	895	" " Friction Spring
226j	2400	" " " " " " " " Screw
33619	895	Presser Bar (hollow)
33620za	895	" " Lifter
33621	2396	" " " Hinge Pin
33667c	2647	" " Lifting Bracket with 50052e

99K MACHINE PARTS

No.	Plate	
33669e	--	Presser Bar Lifting Bracket 33667e with 33676
33677	--	" " " " 33669e with 210e, 33674 and 33675
50052e	2393	" " " " Clamping Screw
33623	2396	" " Spring
33672	--	" " " 33623 with 33624
82666	895	Presser Foot ...
15329zb	--	" " Hinge Pin ...
32772zb	--	" " Plate ...
32774zb	--	" " Shank ...
32773zb	2647	Presser Foot (hinged), complete, Nos. 32772zb, 32774zb and 45329zb
51224b	2400	" " Thumb Screw
50054zb	2396	Pressure Regulating Thumb Screw
33624	2396	" " " " Extension Pin
33676zb	2393	Slack Thread Regulator
33685	2647	Stitch Indicator Plate
140202s	2647	" " " Screw (2)
2102	2647	Tension Disc
45866	2647	" Indicator
45864	2647	" " Flange
45865	2647	" " " Stop Washer
51681zb	2647	" Regulating Thumb Nut
33659	2647	" Releasing Lever
33671	2647	" " " Hinge Pin
33660	2647	" " " Spring
32574	2647	" " " Pin
45869	2647	" Spring
140167zb	2647	" Stud
45870	--	" " 140167zb with 51681zb
50305	2647	" " Set Screw
32757	--	Tension (graduated), complete, Nos. 32574, 32758, 32759, 45864 to 45866, 45869, 45870 and two 2102
26075e	2393	Thread Cutter and Holder
33632zb	2393	Thread Guard (front of arm)
237zb	2393	" " (" " ") Set Screw
8422zb	2393	" " (head of arm)
33634	2647	" Take-up Crank
1036d	2647	" " " Set Screw
33635za	895	" " Lever
33636za	--	" " " complete, Nos. 33635za, 33637 and 33638

99K MACHINE PARTS

No.	Plate	
33679za	--	Thread Take up Lever 33636za with 33634, 33678, 50056e and 50057e
50056e	2647	" " " Cap Screw
33637	2647	" " " Hinge Stud
33638	2647	" " " Link
50057e	2647	" " " " Hinge Screw
32758	2647	" " " Spring
32759	2647	" " " Regulator with 50305e
153d	2647	" " " " Set Screw
32602za	895	Throat Plate for 32600
691za	2400	" " Screw (2)
94013	--	Drip Pan (for Machine on Cover Set)

Bobbin Winder (Universal)

No.	Plate						
33689	2646	Bracket (belt cover)
180zb	2646	" Screw
66670	2646	Frame
45297		" 66670 with 15288 and 66671
51319zb	2646	" Hinge Screw
66601	2646	" Spring
15287	2646	Friction Ring (rubber)
15288	2646	Pulley
66671	2646	Spindle
45268	2646	Stop Latch
51303zb	2646	" " Hinge Screw
125462	2646	" " Spring
125326	2646	Tripping Arm
190zb	2646	" " Screw
33690	2646	Bobbin Winder , complete, Nos. 190zb, 15287, 33689, 45268, 45297, 51303zb, 51319zb, 66601, 125326 and 125462
33691	2646	Thread Guide
208zb	2646	" " Screw
7071	2646	" " " Washer

Attachments

ATTACHMENT SET (Supplied with Machine)

No.	Plate						
121464	2574	Binder
36865	2574	Edge Stitcher
121441	2574	Gathering Foot (double toe)
35931	2574	Hemmer (adjustable)
1531		Needles (6)
86642	2574	Ruffler
25537	2574	Screw Driver (machine)
120378	2574	" " (bobbin case)
8879	2574	Spool Pin Washer (cloth)
160810		Set of Attachments, complete, Nos. 25537, 35931, 36865, 86642, 120378, 121441, 121464, two 8879 and six needles
120842	2649	Hemmer (foot) $\frac{3}{8}$ " hem
32522	2394	Oscillating Hook Bobbin
120861		Tin of Oil (3 oz.)

ATTACHMENTS WHICH MAY BE PURCHASED SEPARATELY

25525	2397	Bias Gauge
25527b	2397	Cloth Guide
50053b	2397	" " and Under Braider Thumb Screw
120687	2649	Imitation Hemstitching Attachment with Yielding Presser Plate
35932		Quilter
121170	2397	Ruffler Shurring Plate
25539	2397	Stiletto
36583	1160	Tucker
121547	2397	Under Braider

Cording Feet

For Stitching on Edge, Inserting Cord and Slide Fastener Work

No.	Plate						
160845		Cording Foot (left toe)
160846		" " (right toe)
		" " (adjusting) (right toe)
121876		" " Body
121877		Presser Foot (adjustable) for sewing on the right or left side of the needle, complete, Nos. 121875, 121876 and 110347w
125025		Presser Foot (right toe) for stitching on edge and inserting cord

NEEDLE THREADER

No.	Plate	
121632		Needle Threader (Universal)

DARNING AND EMBROIDERY

No.	Plate	
86493	1160	Darning Presser Needle Clamp with 110545k
86494	1160	" " " " Stripper Spring
86495	1160	" " " " " Eyelet
140545k	1160	" " " " " Thumb Screw
86496	1160	Darning Presser, complete, Nos. 86493 to 86495
121094	2649	Spring Darning Foot
85893	2649	Embroidery Foot
32622	2649	Feed Cover Plate

EMBROIDERY HOOPS (Plain)

(BIRCH)

No.	Plate	
87586		Round, 5 $\frac{3}{4}$ " diam. \times 7 $\frac{m}{m}$ high
96416		" 7" " \times 7 $\frac{m}{m}$ "
87589	1221	" 8" " \times 7 $\frac{m}{m}$ "
87593		" 10" " \times 7 $\frac{m}{m}$ "
87595		" 12" " \times 7 $\frac{m}{m}$ "
96422	1221	Oval, 9" \times 4 $\frac{1}{2}$ " \times 7 $\frac{m}{m}$ high
87597		" 12" \times 5 $\frac{1}{2}$ " \times 7 $\frac{m}{m}$ "

EMBROIDERY HOOPS (with Clamp)

(BIRCH)

No.	Plate	
96417		Round, 5 $\frac{3}{4}$ " diam. \times 7 $\frac{m}{m}$ high, with SS528j, NX95j, two 96425 and four 96427
96418		" 7" " \times 7 $\frac{m}{m}$ " " SS528j, NX95j, two 96426 and four 96427
96419		" 8" " \times 7 $\frac{m}{m}$ " " SS528j, NX95j, two 96426 and four 96427
96420		" 10" " \times 7 $\frac{m}{m}$ " " SS528j, NX95j, two 96426 and four 96427
96421		" 12" " \times 7 $\frac{m}{m}$ " " SS528j, NX95j, two 96844 and four 96845
96423		Oval, 9" \times 4 $\frac{1}{2}$ " \times 7 $\frac{m}{m}$ high, with SS528j, NX95j, 96425, 96426 and four 96427
96424		" 12" \times 5 $\frac{1}{2}$ " \times 7 $\frac{m}{m}$ " " SS528j, NX95j, 96425, 96426 and four 96427
96425	2399	Clamping Bracket for 96417, 96423 and 96424
96426	2399	" " " 96418 to 96420, 96423 and 96424
96844	2399	" " " 96421
96427	2399	" " " Rivet for 96417 to 96420, 96423 and 96424
96845	2399	" " " " 96421
SS528j	2399	" " " Screw
NX95j	2399	" " " Nut

HAND ATTACHMENT

(For 99K27 Machine)

No.	Plat.						
94050	2284	Body
94027	2284	" Bracket
183e	2114	" " Screw
94028	2114	Crank Handle (wood)
94029b	2114	" " Spindle
94030b	2114	" " " Flange (dowel)
94069	2114	" Hinge Pin
94031a	2284	" Lever
94032	2114	" " Lock Pin
94033b	2114	" " " Head
55531	2114	" " " Spring
94034b		" complete, Nos. 94028, 94029b, 94030b and 94031a
94046	2114	Driver
94070		" 94046 with 80028 and 94048
94036	2114	" Finger
94039	2114	" " Driving Pad (raw hide)
94040	2114	" " " Plate
SS567e	2114	" " " and Plate Binding Screw
94041		" " 94036 with SS567e, 94039 and 94040
94044	2114	" " Hinge Pin
94037	2114	" " Latch
SS565e	2114	" " " Screw Stud
94038	2114	" " " Spring
94051b	2284	Gear with 55531, 94032 and 94033b
94046	2284	" Cover
399a	2114	" " Screw
SS599f	2114	" Screw Stud
94048	2114	Pinion
80028	2114	" Dowel Pin
SS600f	2114	" Screw Stud (to centre)
94052b	2284	Hand Attachment, complete, Nos. SS565e, SS566e, SS599f, SS600f, 94046, 94027, 94034b, 94037, 94038, 94044, 94044, 94050, 94051b, 94069, 94070, two each 183e and 399a
SS566e	2114	Hand Attachment Screw